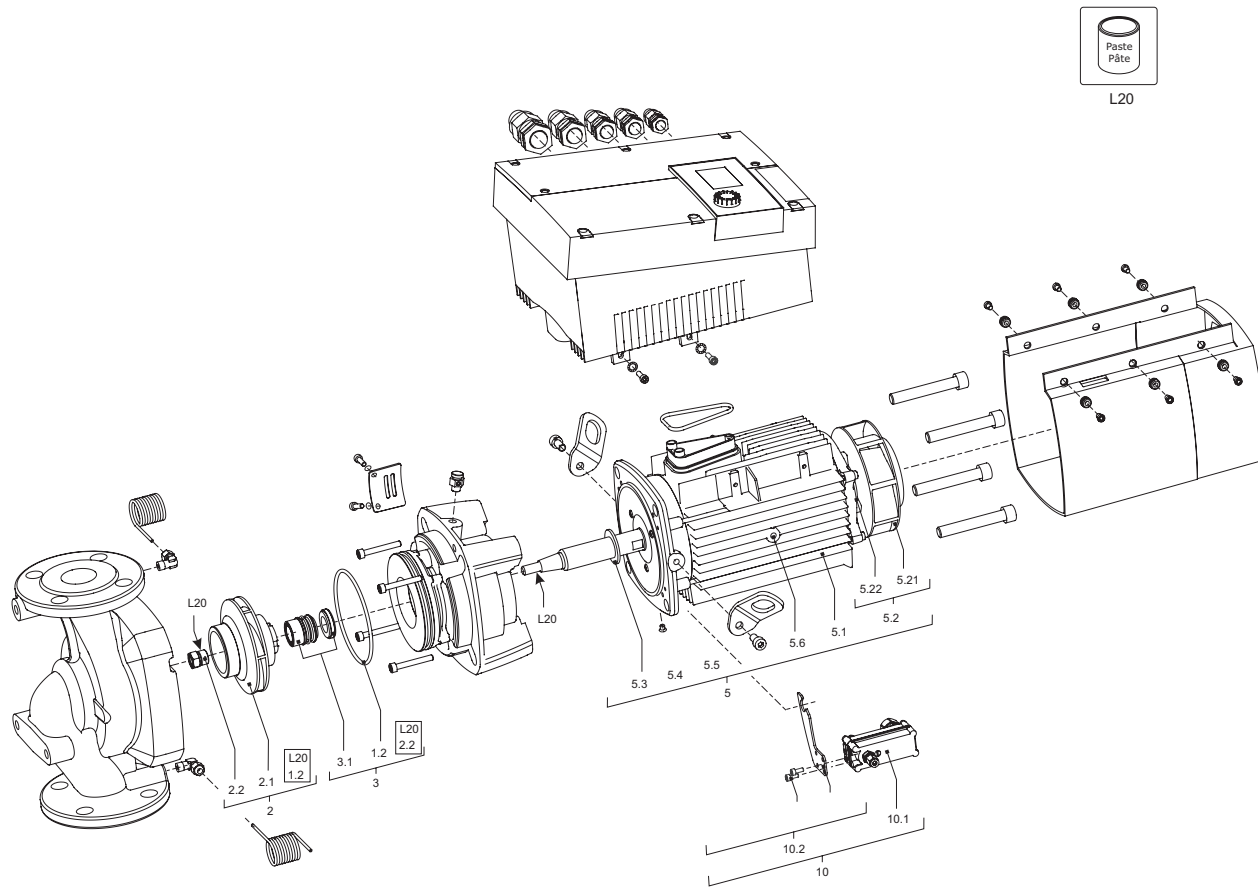


Wilo Stratos GIGA

Spare Parts List



High Efficiency Inline Circulators



2. Impeller Kit

- Includes:
- 2.1 Impeller
 - 2.2 Impeller Nut
 - 1.2 Pump Housing O-Ring
 - L20 Molykote Adhesive

3. Mechanical Seal Kit

- Includes:
- 3.1 Mechanical Seal
 - 1.2 Pump Housing O-Ring
 - 2.2 Impeller Nut
 - L20 Molykote Adhesive

5. Motor Kit

- Includes:
- 5.1 Motor
 - 5.2 Hood Fan Kit
 - 5.3 Screws
 - 5.4 Eyelet
 - 5.5 O-Ring
 - 5.6 Spacer

5.2. Hood Fan Kit

- Includes:
- 5.21 Fan
 - 5.22 Sleeve Ring

10. Differential Pressure Sensor Kit

- Includes:
- 10.1 Differential pressure sensor
 - 10.2 Sensor Connector

10.1. Differential Pressure Sensor VP

- Includes:
- 10.1 Differential pressure sensor

Wilco Stratos GIGA

Spare Parts List



Stratos GIGA – Spare Parts

Model	Article Number	Phase	Voltage	Impeller Kit (2)	List Price USD	Mechanical Seal Kit (3)	List Price USD	Motor Kit (5)	List Price USD	Fan Hood Kit (5.2)	List Price USD	Differential Pressure Sensor Kit (10)	List Price USD	Differential Pressure Sensor VP (10.1)	List Price USD
Stratos GIGA 1.5/3-165	2124480	3	460	2125212	455	2125211	165	2125050	2850	2125210	235	2132605	810	2132608	715
Stratos GIGA 1.5/3-145	2124481	3	460	2125212	455	2125211	165	2125051	2850	2125210	235	2132605	810	2132608	715
Stratos GIGA 1.5/3-125	2124482	3	460	2125213	475	2125211	165	2125052	2850	2125210	235	2132604	810	2132607	715
Stratos GIGA 1.5/3-105	2124483	3	460	2125213	475	2125211	165	2125053	2850	2125210	235	2132604	810	2132607	715
Stratos GIGA 1.5/3-80	2124484	3	460	2125213	475	2125211	165	2125054	2850	2125210	235	2132604	810	2132607	715
Stratos GIGA 2/3-160	2124489	3	460	2125215	475	2125211	165	2125059	2850	2125210	235	2132605	810	2132608	715
Stratos GIGA 2/3-140	2124490	3	460	2125216	475	2125211	165	2125060	2850	2125210	235	2132605	810	2132608	715
Stratos GIGA 2/3-120	2124491	3	460	2125216	475	2125211	165	2125061	2850	2125210	235	2132604	810	2132607	715
Stratos GIGA 2.5/3-87	2124495	3	460	Consult Factory											
Stratos GIGA 2.5/3-70	2124496	3	460	Consult Factory											

*For additional spare parts not on this list, please consult factory

2. Impeller Kit

- Includes:
- 2.1 Impeller
 - 2.2 Impeller Nut
 - 1.2 Pump Housing O-Ring
 - L20 Molykote Adhesive

3. Mechanical Seal Kit

- Includes:
- 3.1 Mechanical Seal
 - 1.2 Pump Housing O-Ring
 - 2.2 Impeller Nut
 - L20 Molykote Adhesive

5. Motor Kit

- Includes:
- 5.1 Motor
 - 5.2 Hood Fan Kit
 - 5.3 Screws
 - 5.4 Eyelet
 - 5.5 O-Ring
 - 5.6 Spacer

5.2. Hood Fan Kit

- Includes:
- 5.2.1 Fan
 - 5.2.2 Sleeve Ring

10. Differential Pressure Sensor Kit

- Includes:
- 10.1 Differential pressure sensor
 - 10.2 Sensor Connector

10.1. Differential Pressure Sensor VP

- Includes:
- 10.1 Differential pressure sensor